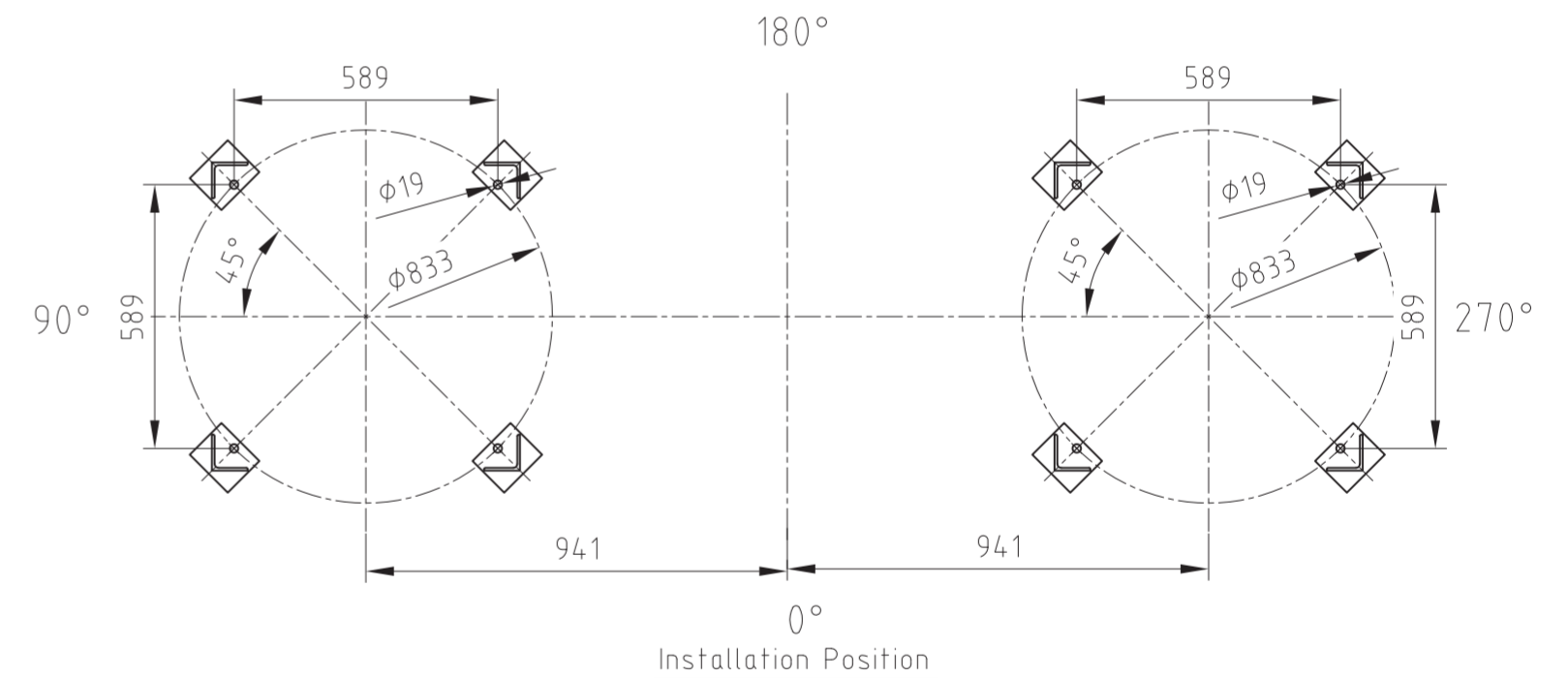


DESIGN DATA		
DESIGN PRESSURE	Bar	14
DESIGN TEMPERATURE	°C	130
CORROSION ALLOWANCE	mm	0
HYDR. TEST PRESSURE	Bar	18.2
VESSEL CAPACITY	L	620X2
VESSEL/PIPEWORK		304S/S
GASKET MATERIAL		BUNA O-RING
EMPTY WEIGHT	Kg	680X2
FILTER ELEMENT		Filter Bag 2# x 12pcs x2
SURFACE FINISH		Standard Bead Blasted

NOZZLES DATA					
MARK	NORMAL SIZE	SERVICE	CONNECT STANDARD	FACE	RANK
N1	ANSI 6"	INLET	Stub End Flanges-ANSI B16.5	RF	150 lb
N2	ANSI 6"	OUTLET	Stub End Flanges-ANSI B16.5	RF	150 lb
N3	BSP 1/2"	GAUGE	DIN ISO 228-1		
N4.1,N4.2	BSP 1/2"	VENT	DIN ISO 228-1		
N5	BSP 2"	DRAIN	DIN ISO 228-1		
N6	BSP 1/2"	DRAIN	DIN ISO 228-1		
N7.1,N7.2	BSP 1/2"	INJECTION	DIN ISO 228-1		
N8.1,N8.2	BSP 1/2"	FLOW METER	DIN ISO 228-1		



5	32	Eye Bolts	CS+Zinc Coating	
4	4	Tee	SS304	
3	5	Butterfly Valve	CS+BUNA-N	
2	2	Davit lid	SS304	
1	2	PV-BM12-304-6D	SS304	
ITEM	QTY	NAME	MATERIAL	REMARKS

**SEFAR**

draw: JASON DONG  
date: 2020-05-16

scale: 1:1      drawing no.: SW181030-DMF-A01  
name: PV-BM12-304-6DD      REV: 2